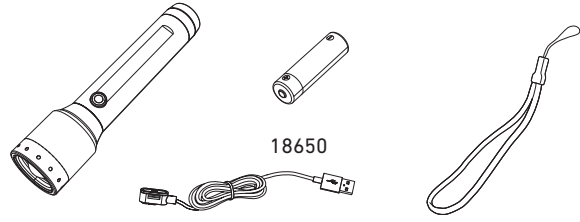
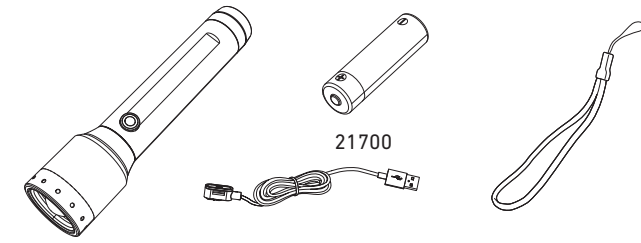


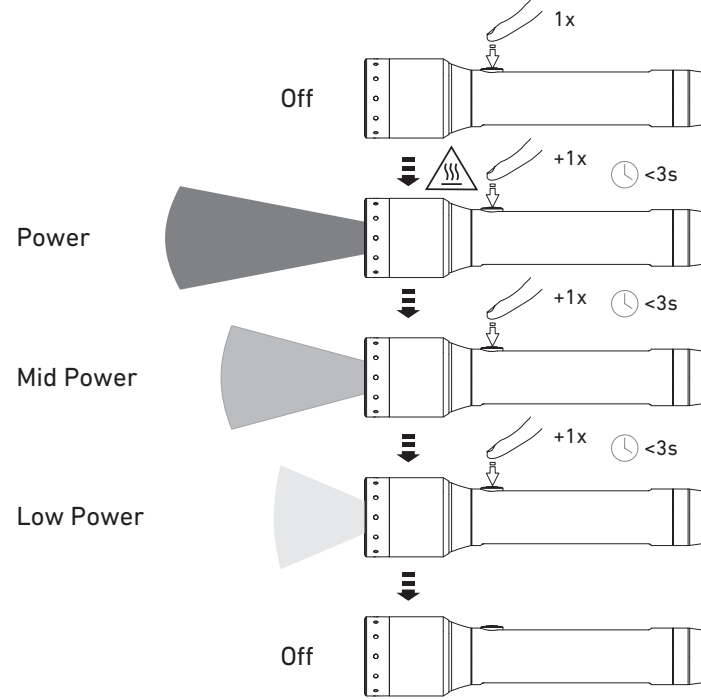
P6R Core



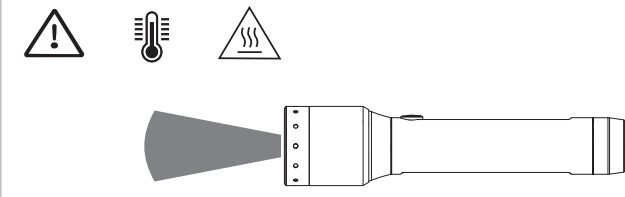
P7R Core



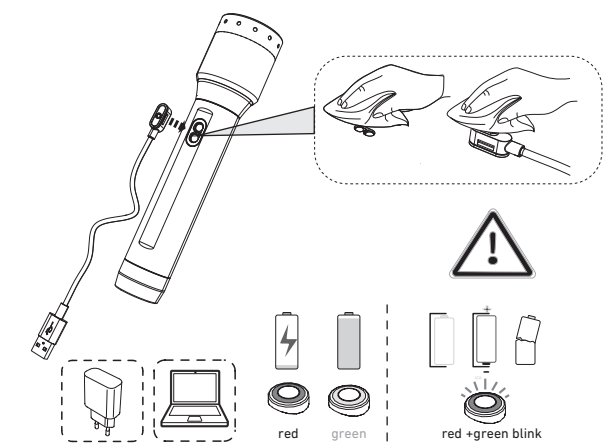
Default Operation



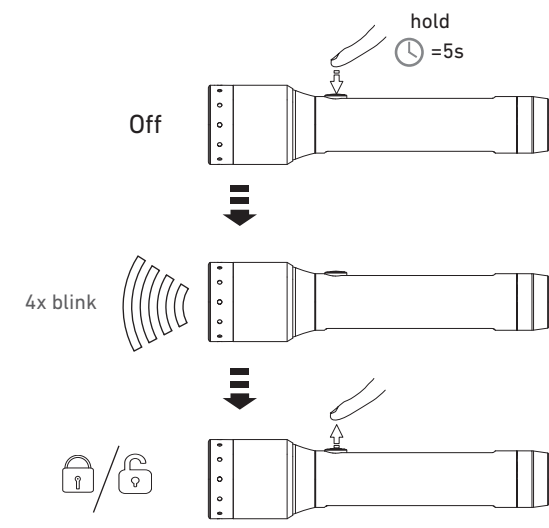
High Temperature



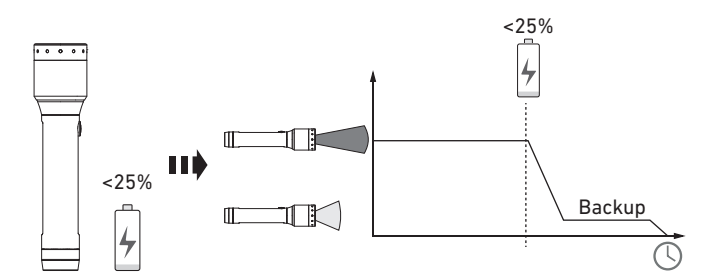
Magnetic Charging System



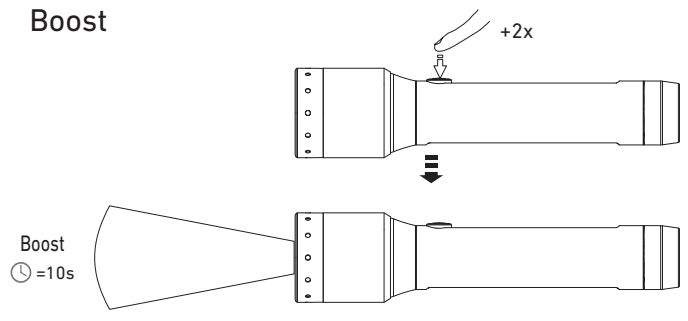
Transportation Lock



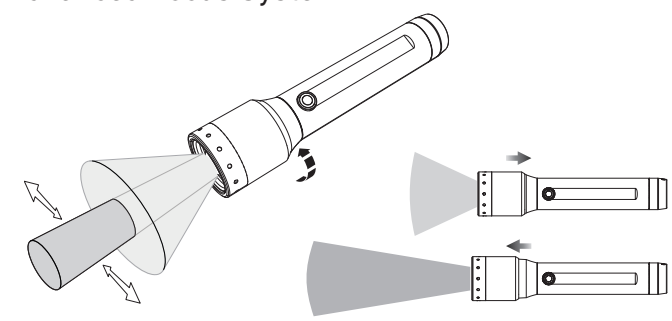
Backup Mode



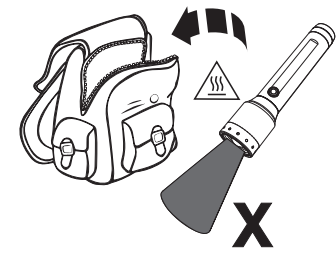
Boost



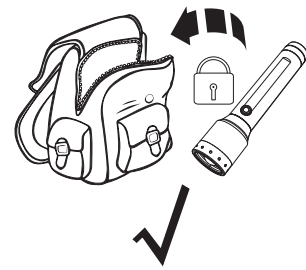
Advanced Focus System



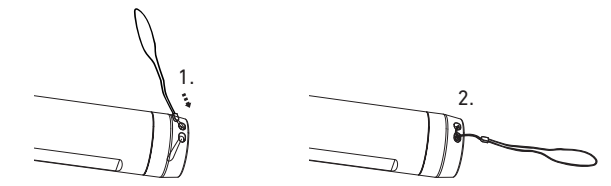
No:



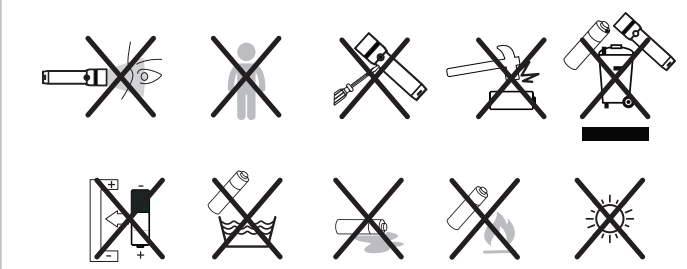
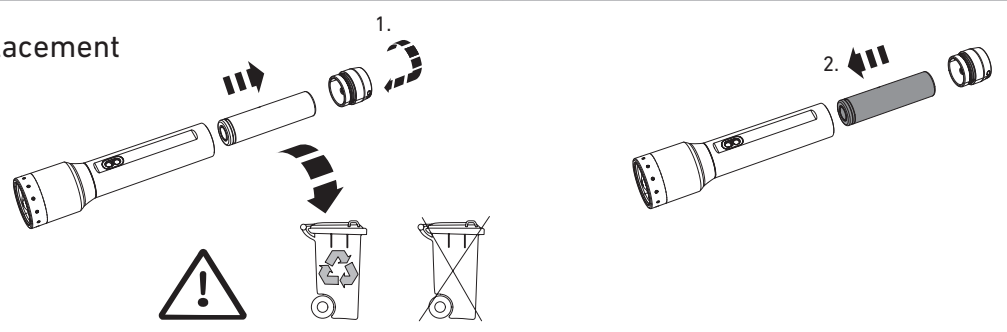
Yes:



Lanyard



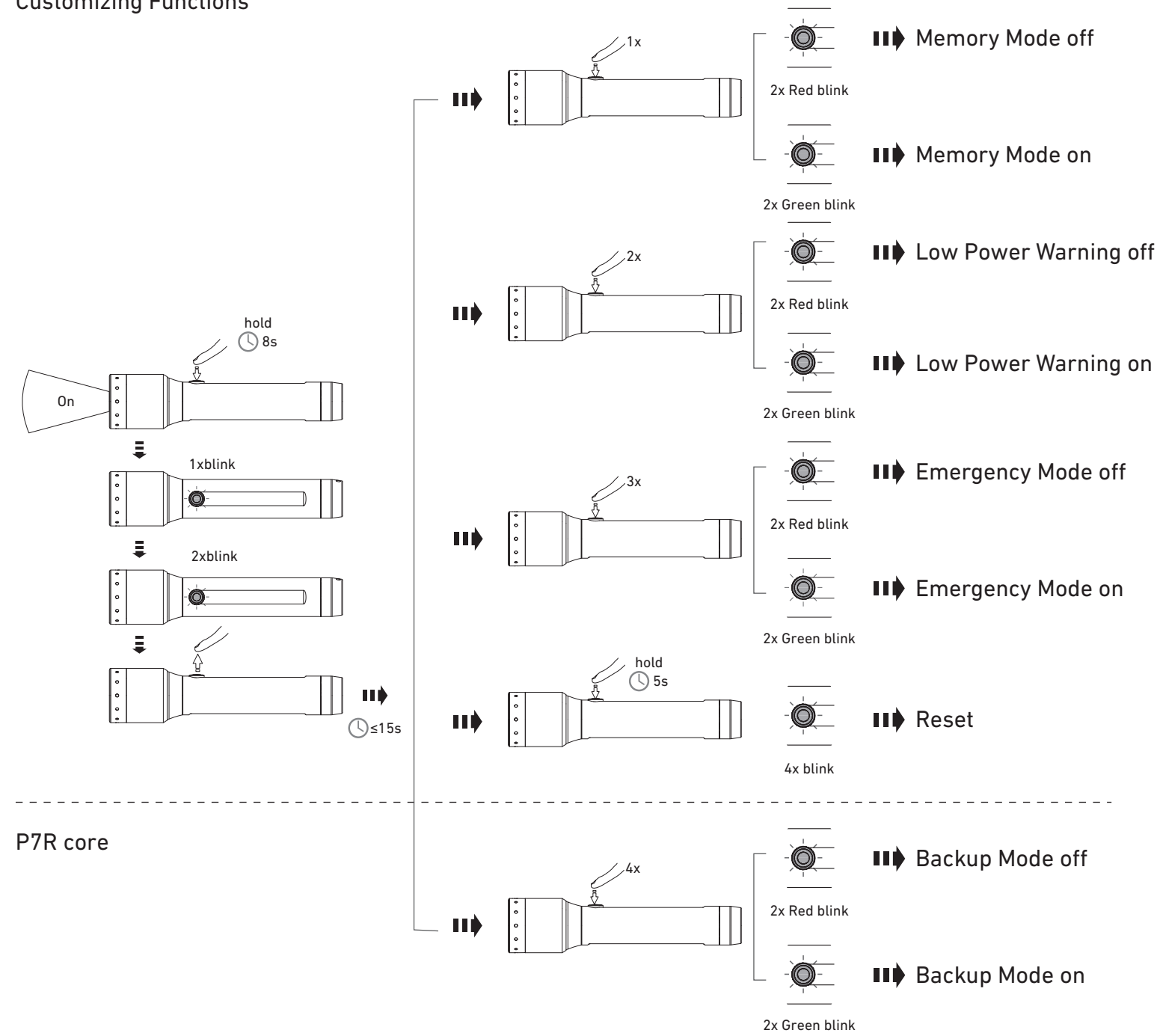
Battery Replacement



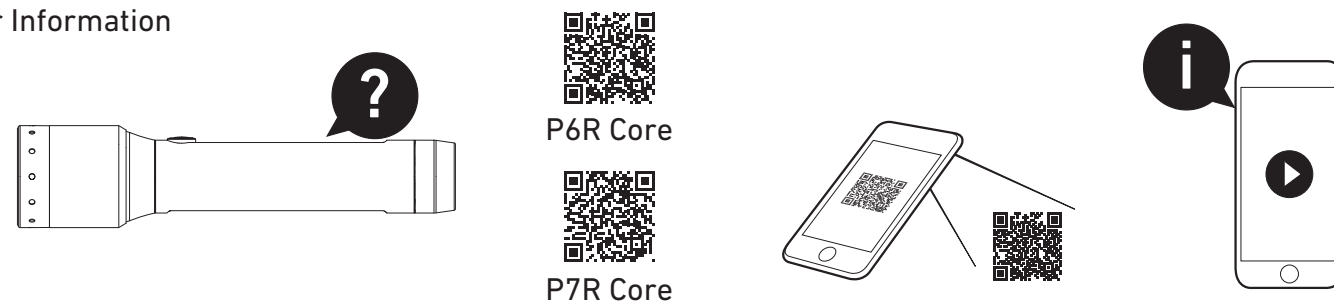
Ledlenser GmbH & Co. KG  
 Kronenstrasse 5-7 • 42699 Solingen • Germany  
 Phone +49 212/5948-0 Fax +49 212/5948-200  
 info@ledlenser.com



### Customizing Functions



### Further Information



### Customizing Light Modes

